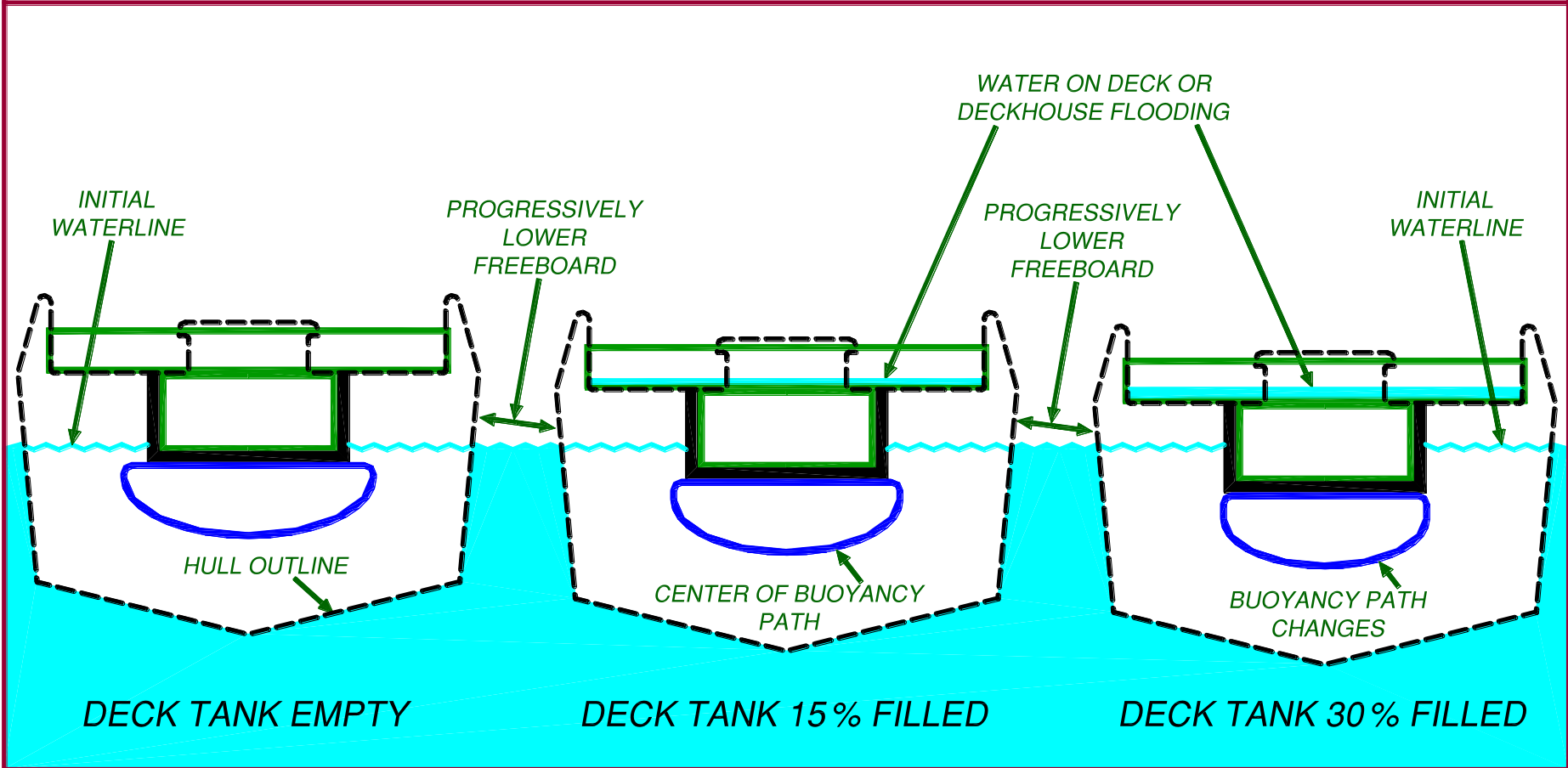
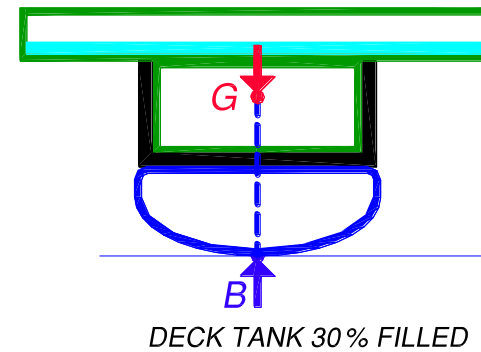
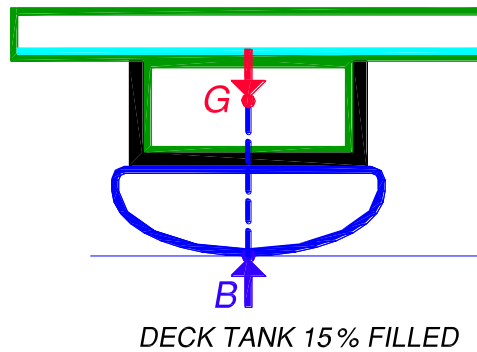
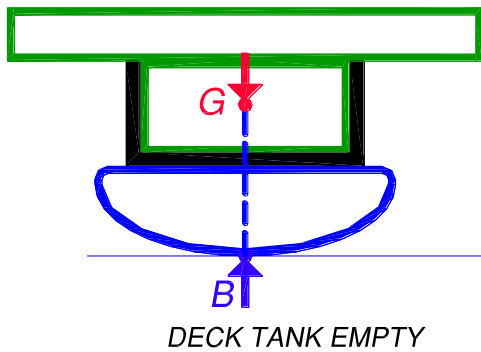
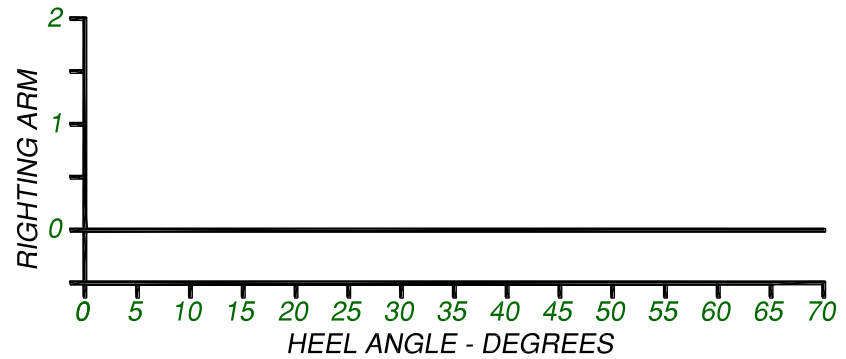


# NEGATIVE EFFECT OF WATER ON DECK OR FLOODING OF DECKHOUSES

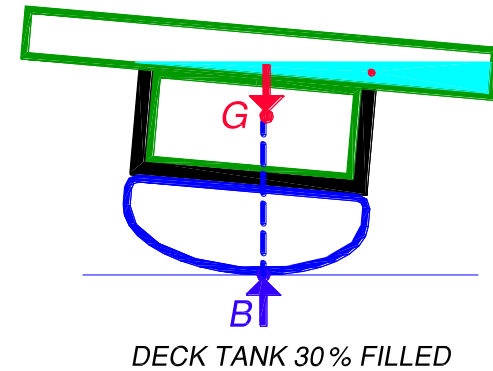
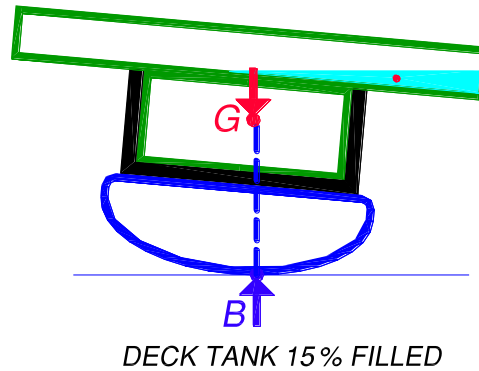
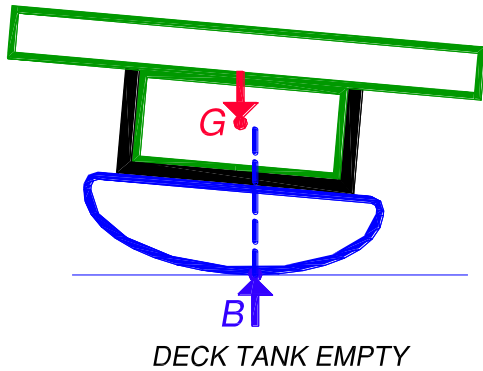
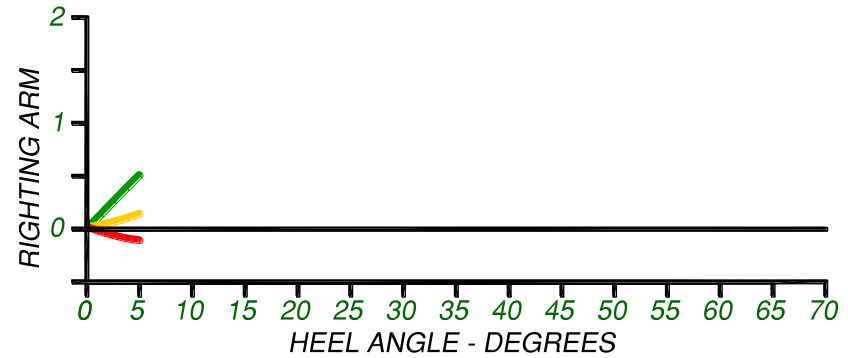


# NEGATIVE EFFECT OF WATER ON DECK OR FLOODING OF DECKHOUSES

0 DEGREES HEEL

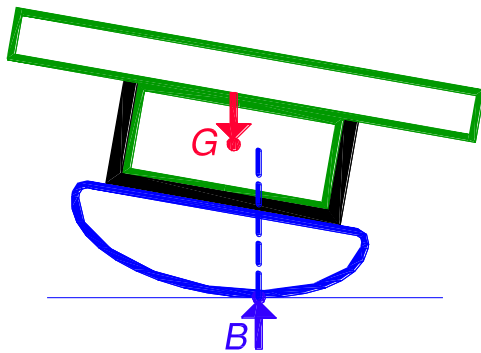
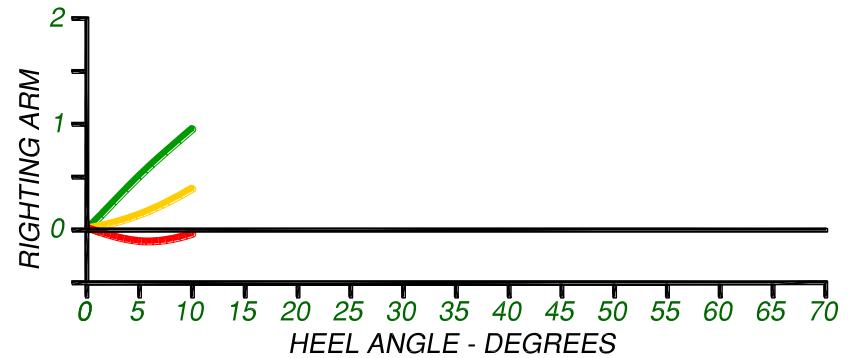


# NEGATIVE EFFECT OF WATER ON DECK OR FLOODING OF DECKHOUSES 5 DEGREES HEEL

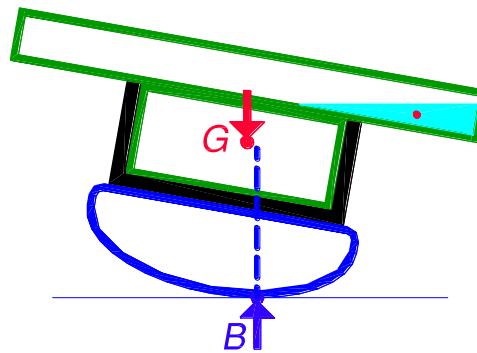


# NEGATIVE EFFECT OF WATER ON DECK OR FLOODING OF DECKHOUSES

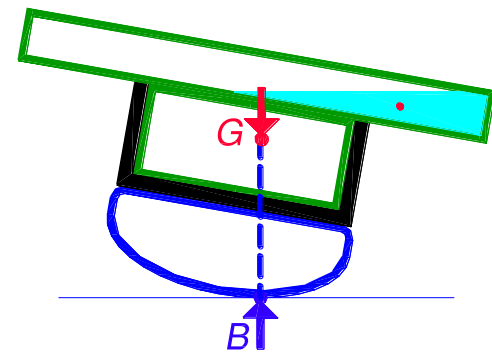
10 DEGREES HEEL



DECK TANK EMPTY



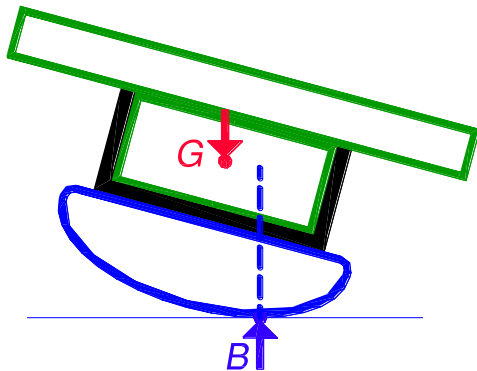
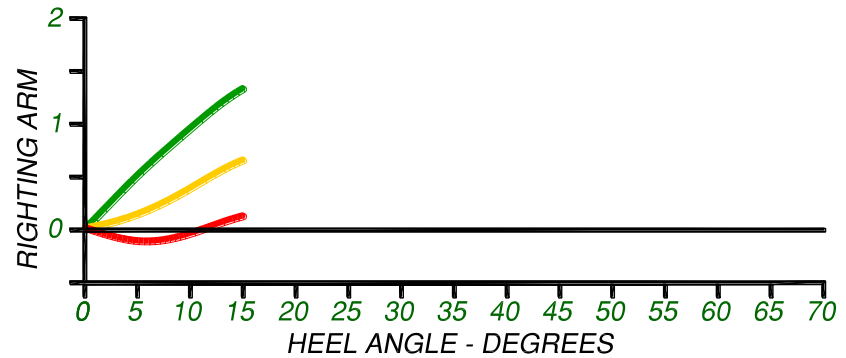
DECK TANK 15% FILLED



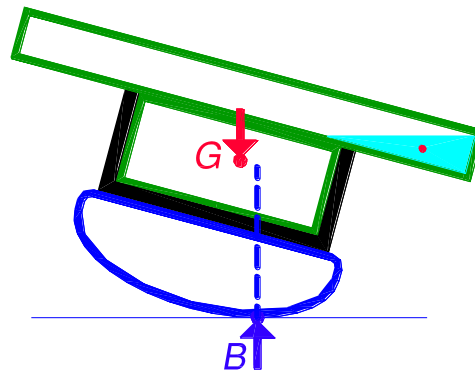
DECK TANK 30% FILLED

# NEGATIVE EFFECT OF WATER ON DECK OR FLOODING OF DECKHOUSES

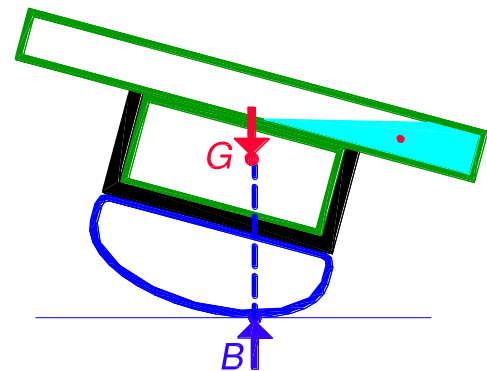
15 DEGREES HEEL



DECK TANK EMPTY



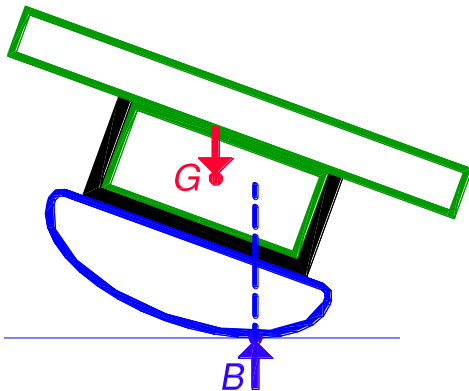
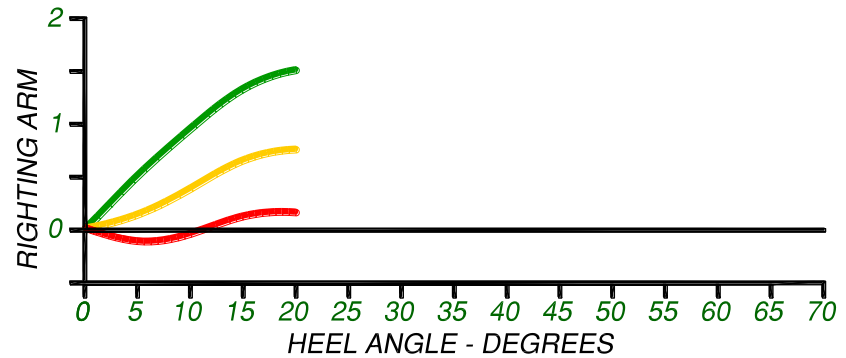
DECK TANK 15% FILLED



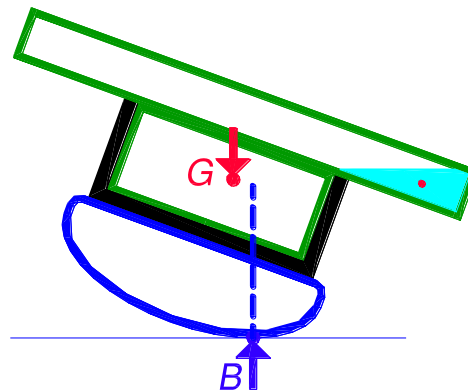
DECK TANK 30% FILLED

# NEGATIVE EFFECT OF WATER ON DECK OR FLOODING OF DECKHOUSES

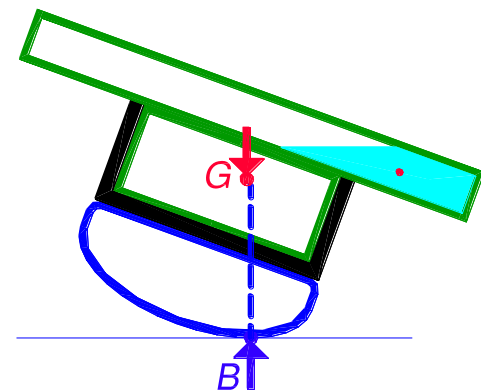
20 DEGREES HEEL



DECK TANK EMPTY



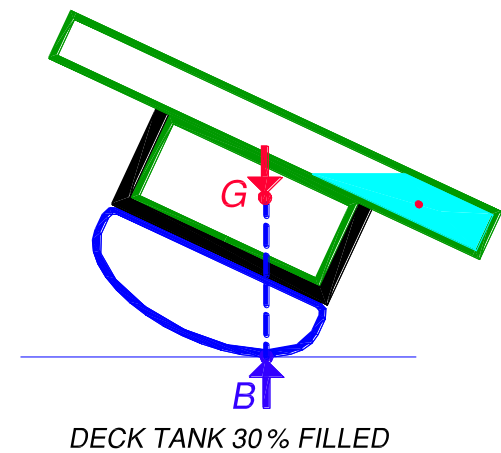
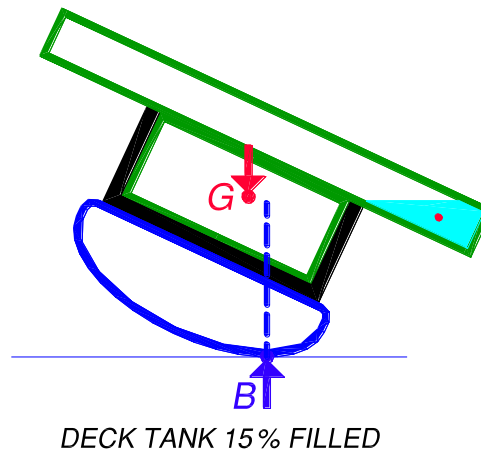
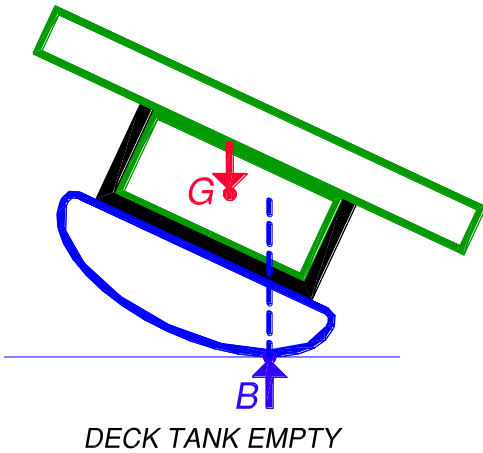
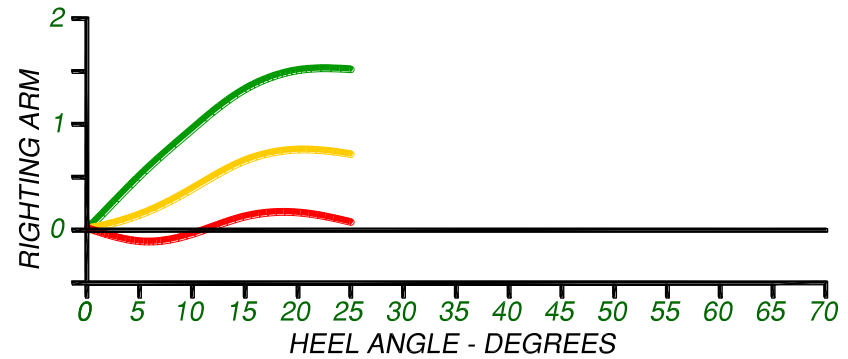
DECK TANK 15% FILLED



DECK TANK 30% FILLED

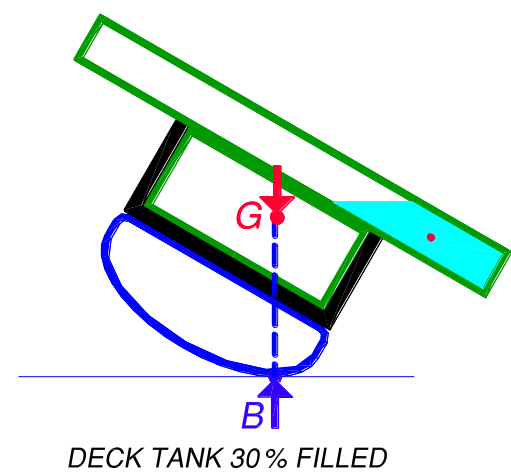
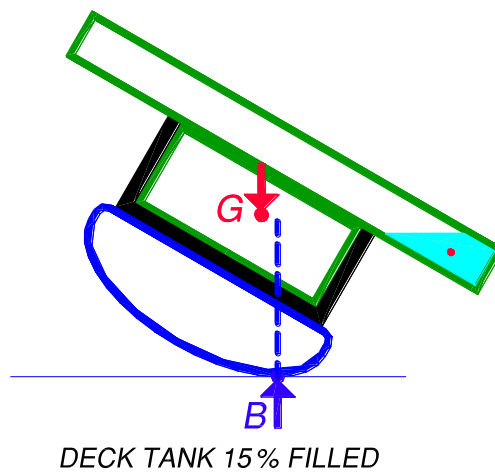
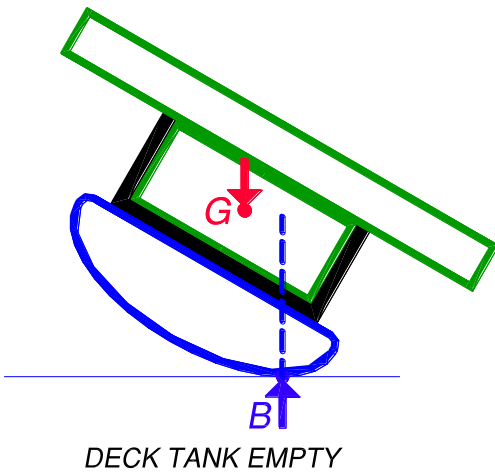
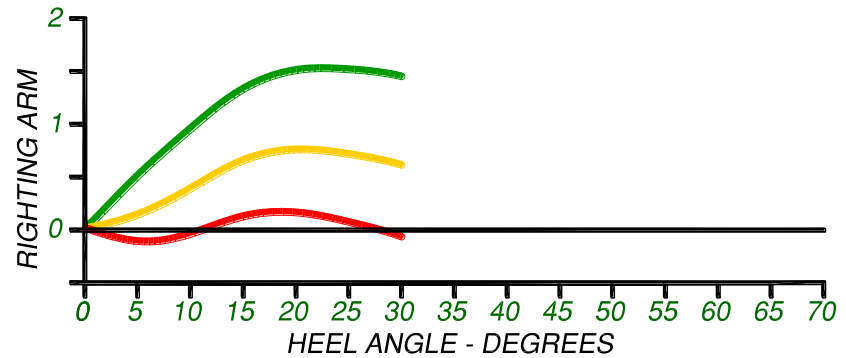
# NEGATIVE EFFECT OF WATER ON DECK OR FLOODING OF DECKHOUSES

## 25 DEGREES HEEL



# NEGATIVE EFFECT OF WATER ON DECK OR FLOODING OF DECKHOUSES

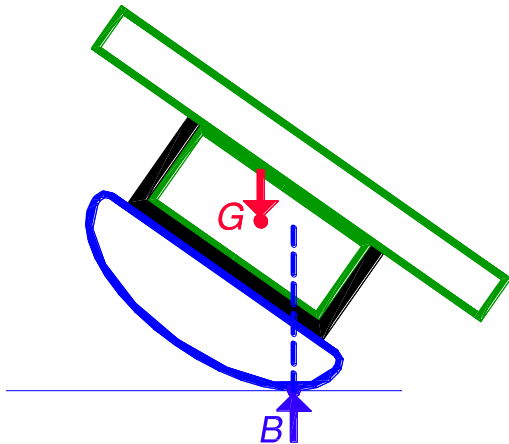
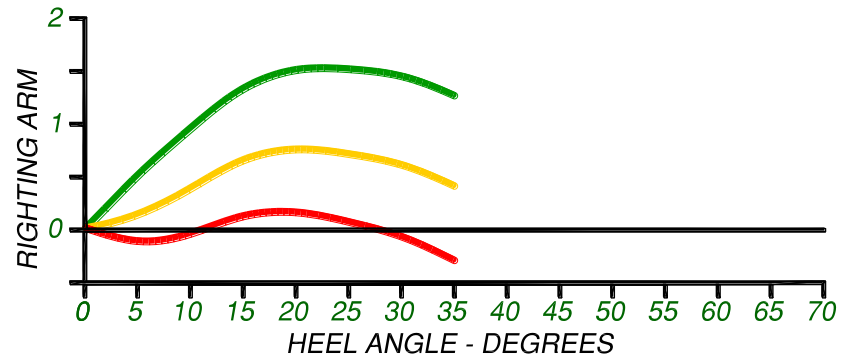
30 DEGREES HEEL



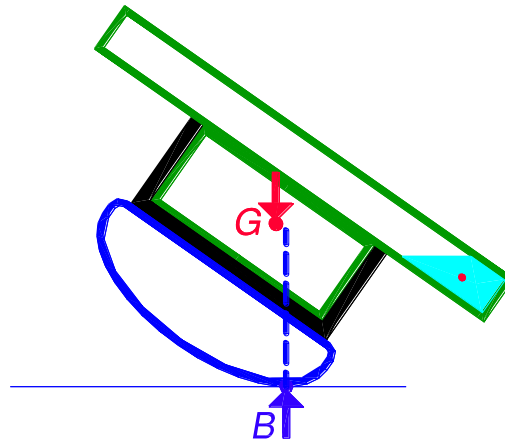


# NEGATIVE EFFECT OF WATER ON DECK OR FLOODING OF DECKHOUSES

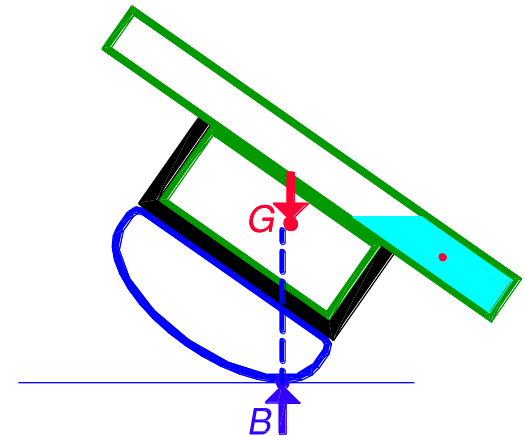
## 35 DEGREES HEEL



DECK TANK EMPTY



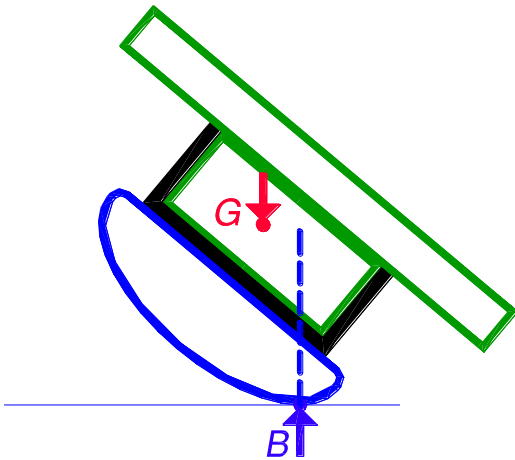
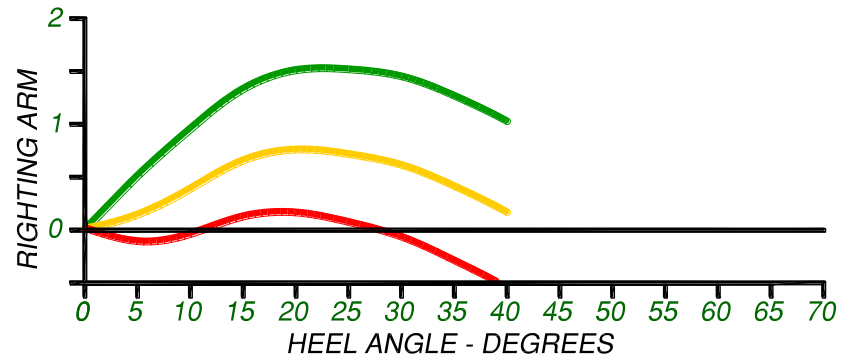
DECK TANK 15% FILLED



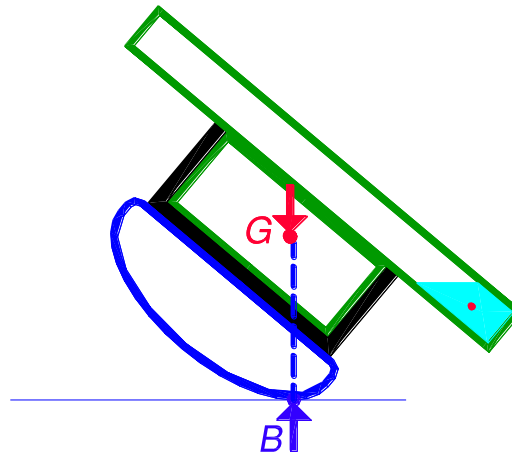
DECK TANK 30% FILLED

# NEGATIVE EFFECT OF WATER ON DECK OR FLOODING OF DECKHOUSES

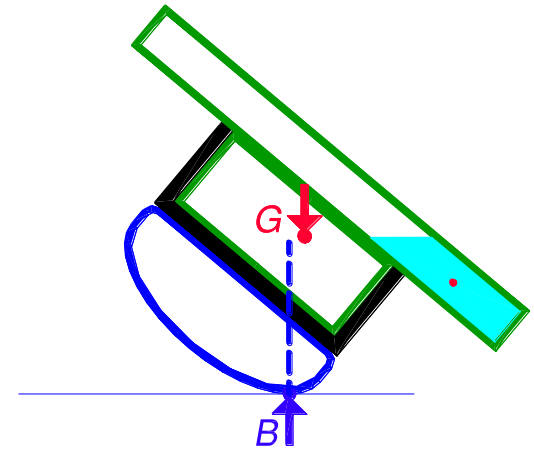
40 DEGREES HEEL



DECK TANK EMPTY



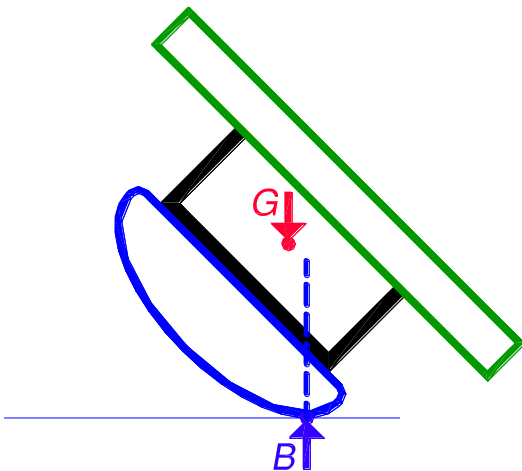
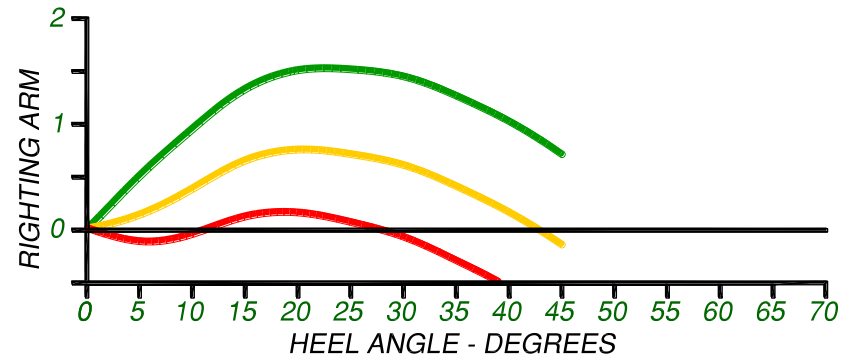
DECK TANK 15% FILLED



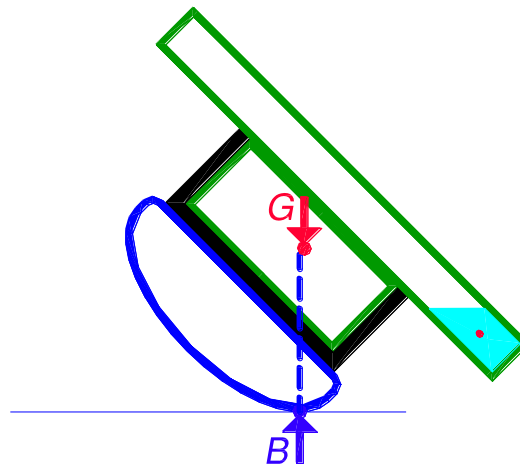
DECK TANK 30% FILLED

# NEGATIVE EFFECT OF WATER ON DECK OR FLOODING OF DECKHOUSES

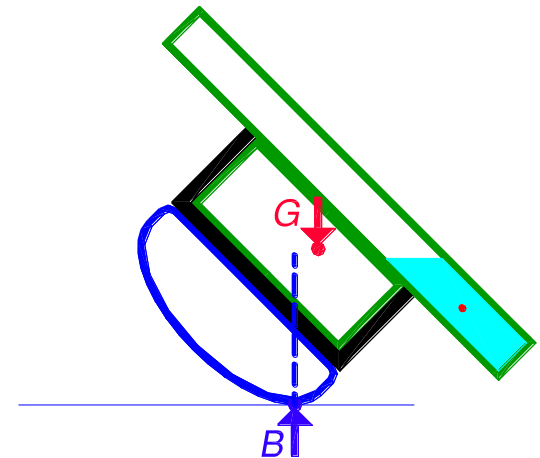
## 45 DEGREES HEEL



DECK TANK EMPTY

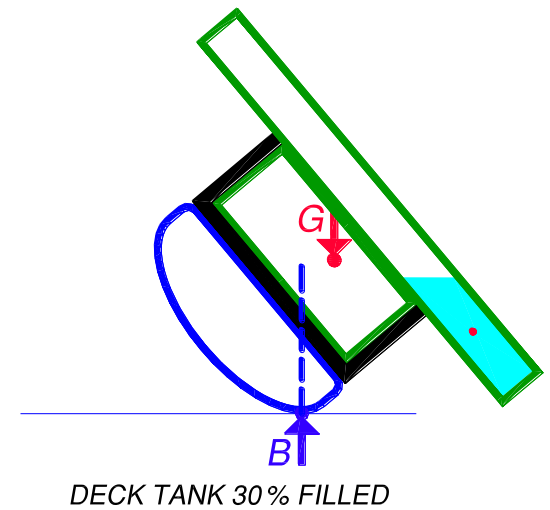
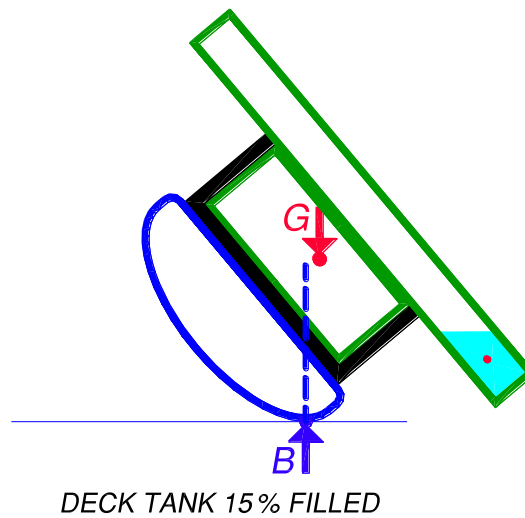
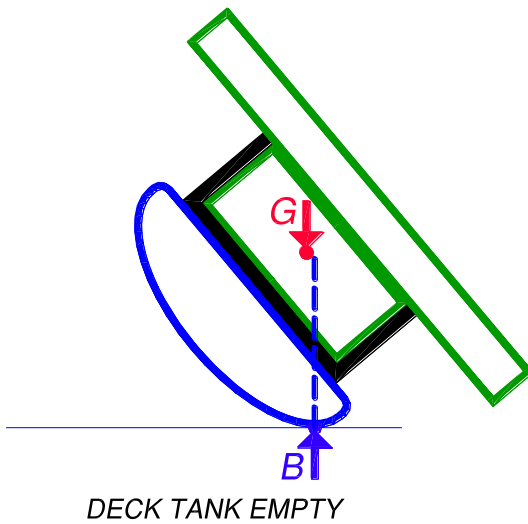
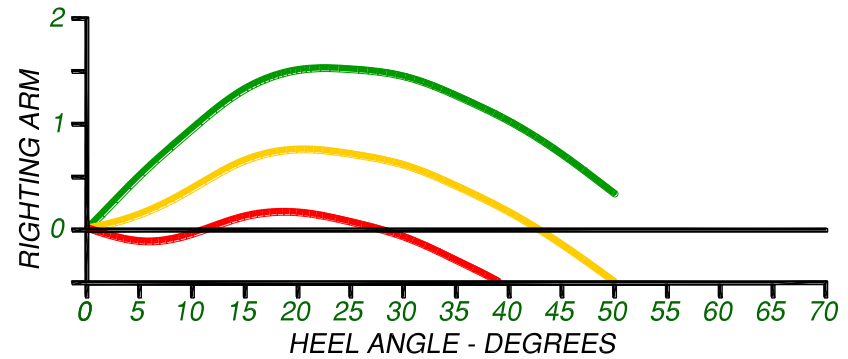


DECK TANK 15% FILLED



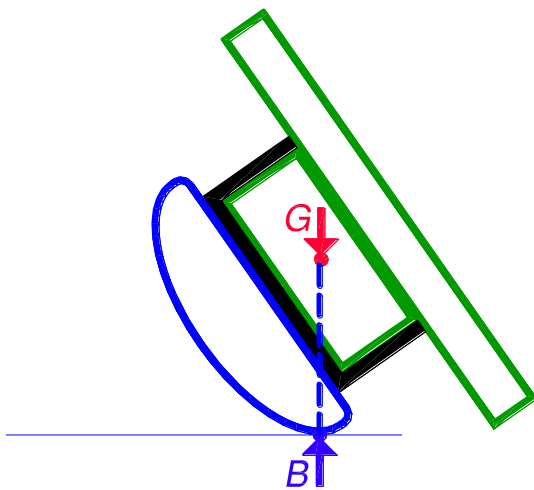
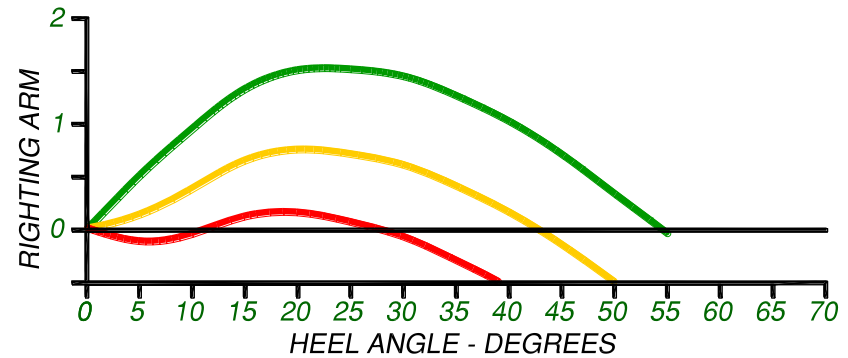
DECK TANK 30% FILLED

# NEGATIVE EFFECT OF WATER ON DECK OR FLOODING OF DECKHOUSES 50 DEGREES HEEL

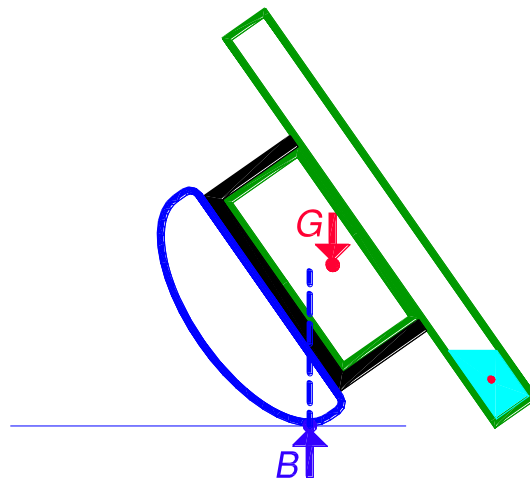


**NEGATIVE EFFECT OF  
WATER ON DECK OR  
FLOODING OF DECKHOUSES**

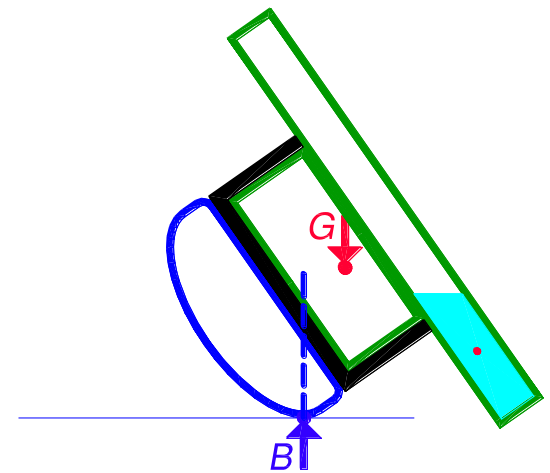
**55 DEGREES HEEL**



DECK TANK EMPTY



DECK TANK 15% FILLED



DECK TANK 30% FILLED